

CONSTIX® Sealed Foam Swab SF-50

Rectangular sealed foam swab

CONSTIX® SF-50 sealed foam swab consists of polyurethane foam thermally sealed and bonded to a polypropylene handle without the use of adhesives or binders.

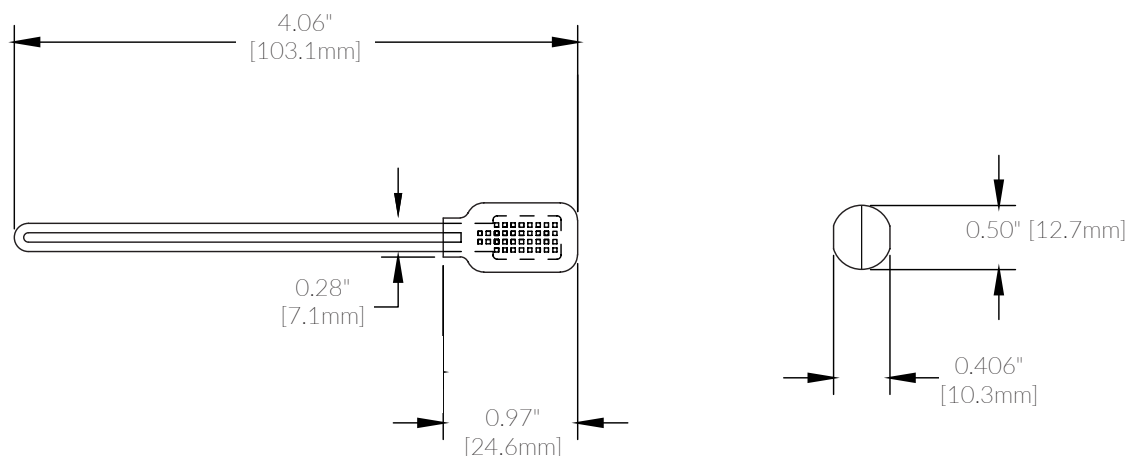
The polyurethane foam head provides good particle entrapment and removal. The absorbent foam enables solvents, such as isopropanol and ethanol, to be readily absorbed for applications involving solvent delivery or removal. The large size of the foam head of the SF-50 swab provides good surface coverage.



Though compatible with many common solvents, the SF-50 is not recommended for use with ketones such as acetone or MEK.



Features	Benefits
Large foam tip	<ul style="list-style-type: none"> • Ideal for swabbing larger areas and applying coatings
Absorbent polyurethane foam	<ul style="list-style-type: none"> • Provides good particle entrapment and removal

Part No.	Description	Size	Packaging
SF-50	CONSTIX Sealed foam swab	Head dimension: 0.50" x 0.97" (12.7 x 24.6 mm) Handle diameter: 0.28" (7.1 mm) Total length: 4.06" (103.1 mm)	3,000/case



Product Information	
Head material	<ul style="list-style-type: none"> • 100 PPI closed-cell polyurethane foam
Handle material	<ul style="list-style-type: none"> • 100% polypropylene
Construction	<ul style="list-style-type: none"> • Thermally sealed and attached
Packaging materials	<ul style="list-style-type: none"> • Outer bags (BG): low density polyethylene (LDPE)  • Case (CS): corrugated fiberboard (PAP) 

Recycle Symbols



Packaging	EA/BG	BGS/CS	EA/CS
SF-50	3,000	1	3,000

EA = each; BG = bag; CS = case