

# CONSTIX® Sealed Foam Swab SF-1

## Round polyurethane sealed foam swab

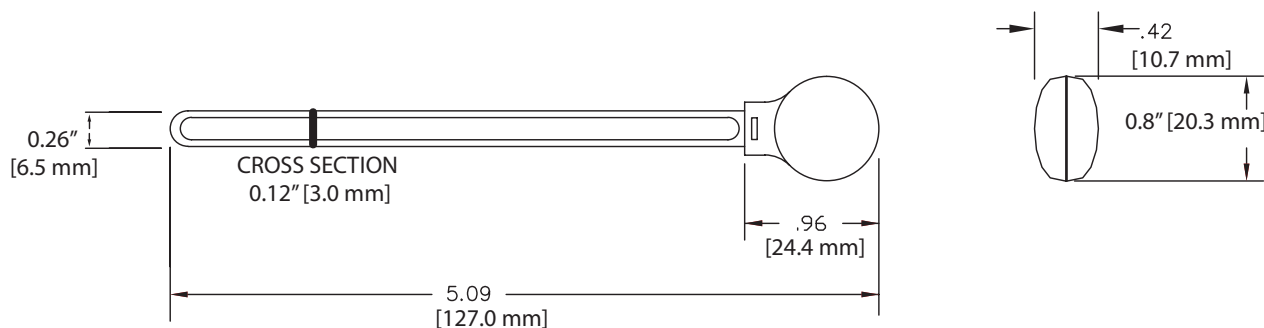
CONSTIX® SF-1 sealed foam swab consists of polyurethane foam bonded to a polypropylene handle without the use of adhesives or binders.



The absorbent foam enables solvents, such as isopropanol and ethanol, to be readily sorbed for applications involving solvent delivery or removal. Though compatible with many solvents, the SF-1 is not recommended for use with ketones, such as acetone or MEK.



Features	Benefits
Polyurethane foam head	<ul style="list-style-type: none"> <li>Provides good particle entrapment and removal</li> </ul>
Large round head	<ul style="list-style-type: none"> <li>Ideal for cleaning and applying coatings and sealants</li> </ul>

Part No.	Description	Size	Packaging
SF-1	CONSTIX Sealed foam swab	Head dimension: 0.8" x 0.96" (20.3 x 24.4 mm) Handle diameter: 0.26 (6.5 mm) Total length: 5.09" (127.0 mm)	500/case



Product Information	
Head material	<ul style="list-style-type: none"> <li>• 100 PPI sealed closed-cell polyurethane foam</li> </ul>
Handle material	<ul style="list-style-type: none"> <li>• 100% polypropylene</li> </ul>
Construction	<ul style="list-style-type: none"> <li>• Thermally sealed and attached</li> </ul>
Packaging materials	<ul style="list-style-type: none"> <li>• Outer bags (BG): low density polyethylene (LDPE) </li> <li>Case (CS): corrugated fiberboard (PAP) </li> </ul>
Environment	<ul style="list-style-type: none"> <li>• ISO 5-8 Grade C/D</li> </ul>

Recycle Symbols



Packaging	EA/BG	BG/CS	EA/CS
SF-1	50	10	500

EA = each; BG = bag; CS = case