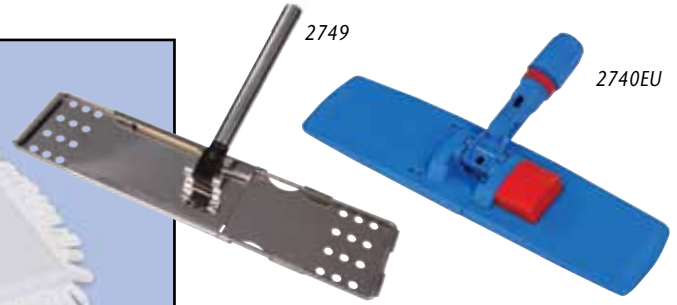


# European Mopping Hardware Guide

*Contec® Simple Solutions for Complex Problems*





**Contec® QuickTask™ Mop Heads ISO Class 4**

Part No.	Description
TASK0200	QuickTask polyester knit flat mop cover with pockets, approximate size 41 x 15cm
TASK0250	QuickTask polyester knit flat mop cover with pockets, approximate size 41 x 15cm, sterile
TASK0300	QuickTask flat mop cover with pockets, blue, approximate size 41 x 15cm
TASK0400	QuickTask polyester microfiber knit loop flat mop cover with pockets, 41 x 15cm

**Mop Head Frames and Handles**

Part No.	Description
2749	QuickTask flat hinged mop head frame and handle, 40cm, stainless steel
2740EU	QuickTask flat hinged mop head frame, 40cm, blue polypropylene
2725E	QuickConnect handle, 152cm, stainless steel, lightweight, 1 piece

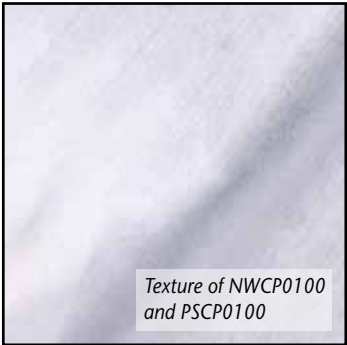
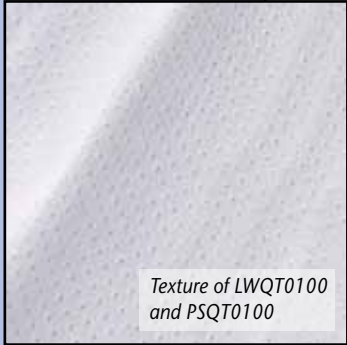
**Buckets, Wringers and Carts**

Part No.	Description
2650*	Stainless steel cart w/ casters, removable handle, two 25L polypropylene buckets (blue, red), and stainless steel connecting kit/drip cap
2738	Plastic sieve, blue polypropylene (for use w/ UBKT0001, UBKT0002)
2710	Stainless steel downpress wringer (for use w/ 2650 cart)
UBKT0001	Polypropylene bucket, 25L, blue (replacement, for use w/2650)
UBKT0002	Polypropylene bucket, 25L, red (replacement, for use w/2650)
2700*	Stainless steel cart w/casters, two 19L stainless steel buckets, downpress wringer
2617	Stainless steel bucket, 19L, 53 x 33 x 20cm (replacement, for use w/2700)

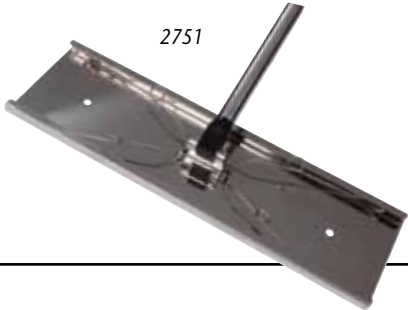
\* Carts are expandable to hold 3 buckets

**NOTE:** All hardware listed is autoclavable (121°C at 30 minutes) unless otherwise noted.





2751 with NWCP0100



2751



2725E

**Contec® QuickTask™ Flat Mop Covers ISO Class 5**

Part No.	Description
NWCP0100	QuickTask mop cover, Amplitude Sigma cell/poly nonwoven, 42 x 25cm
LWQT0100	QuickTask mop cover, Quiltec 2-ply polyester knit, 42 x 25cm
PSCP0100	QuickTask presaturated mop cover, PROSAT w/ cell/poly nonwoven, 70% IPA/30% DI water, 42 x 25cm
PSQT0100	QuickTask presaturated mop cover, PROSAT w/ Quiltec 2-ply polyester knit, 70% IPA/30% DI water, 42 x 25cm

**Mop Head Frame and Handles**

Part No.	Description
2751	QuickTask flat mop head frame and handle, 40cm, stainless steel

**NOTE:** All hardware listed is autoclavable (121°C at 30 minutes) unless otherwise noted.





Mop Head VKMX0100  
Frame 2651A  
Handle 2645



**Contec® VertiKlean® MAX™ Mop Heads ISO Class 4**

Part No.	Description
VKMX0100	VertiKlean MAX mop head, 11 x 21 x 2cm
VKMX0150	VertiKlean MAX mop head, 11 x 21 x 2cm, sterile

**Mop Head Frames and Handles**

Part No.	Description
2651A	QuickConnect mop head frame, 19cm, for VertiKlean MAX
2725E	QuickConnect handle, 152cm, stainless steel, lightweight, 1 piece
2643	QuickConnect handle, 127cm, extends to 234cm, anodized aluminum
2645	QuickConnect handle, 127cm extends to 234cm, stainless steel
2642	QuickConnect handle, 41cm, extends to 76cm, anodized aluminum
2644	QuickConnect handle, 41cm extends to 76cm, stainless steel
2671A	QuickConnect handle, extends to 5m, anodized aluminum, 4 piece

**Buckets, Wringers and Carts**

Part No.	Description
2726	EasyCurve bucket w/ Slinger™ and frame, polypropylene, 25L, blue
2728	Stainless steel bucket trolley (caster base with 4 casters)
2743	Twin bucket w/ Slinger and frame; 20 L total volume, includes one cover, 4 non-autoclavable casters, polypropylene (seafoam green)
2650*	Stainless steel cart w/ casters, removable handle, two 25L polypropylene buckets (blue, red), and stainless steel connecting kit/drip cap
2750	Slinger™ and frame (for use w/ UBKT0001, UBKT0002)
2738	Plastic sieve, blue polypropylene (for use w/ UBKT0001, UBKT0002)
2710	Stainless steel downpress wringer (for use w/ 2650 cart)
UBKT0001	Polypropylene bucket, 25L, blue (replacement, for use w/2650)
UBKT0002	Polypropylene bucket, 25L, red (replacement, for use w/2650)
2700*	Stainless steel cart w/casters, removable handle, two 19L stainless steel buckets, downpress wringer
2617	Stainless steel bucket, 19L, 53 x 33 x 20cm (replacement, for use w/2700, 2703)

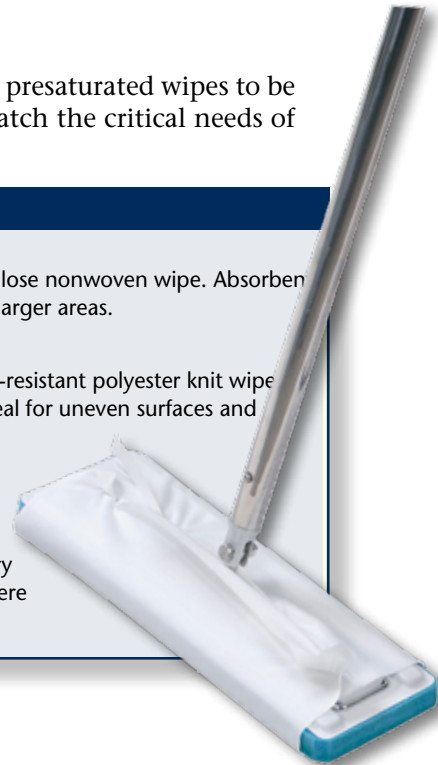
\* Carts are expandable to hold 3 buckets

**NOTE:** All hardware listed is autoclavable (121°C at 30 minutes) unless otherwise noted.



For added flexibility, the unique design of VertiKlean MAX allows various dry and presaturated wipes to be used with the mop head and frame. Wipes and solvent blends are available to match the critical needs of each end user.

PRESATURATED CLEANING CLOTHS	DRY CLEANING CLOTHS
<p><b>PROSAT® 911</b> Polypropylene nonwoven presaturated with 70% IPA and 30% DI water. Most economical. Ideal for flat, smooth surfaces.</p> <p><b>PROSAT® with spunlace nonwoven</b> Cellulose/polyester nonwoven presaturated with 70% IPA and 30% DI water. Offers improved durability.</p> <p><b>PROSAT® with Polynit Heatseal</b> Cleanroom laundered polyester knit presaturated with 70% IPA and 30% DI water. Offers improved liquid capacity and excellent durability. For uneven surfaces.</p> <p><b>PROSAT® with Quiltec®</b> Cleanroom laundered two-ply quilted polyester knit presaturated with 70% IPA and 30% DI water. Allows for cleaning of larger surface area due to enhanced holding capacity and durability.</p>	<p><b>TuffStuff™</b> General-purpose polyester/cellulose nonwoven wipe. Absorbent and durable. Ideal for cleaning larger areas.</p> <p><b>Polynit Heatseal</b> Cleanroom laundered, abrasion-resistant polyester knit wipe. Offers enhanced cleanliness. Ideal for uneven surfaces and heavy-duty applications.</p> <p><b>Quiltec®</b> Cleanroom laundered two-ply quilted polyester knit wipe. For cleaning large surface areas; very absorbent and durable. Use where superior sorbency is required.</p>



**Recommended Wipes for use with VertiKlean® MAX™**

VertiKlean MAX is compatible with most Contec brand wipes that have a minimum size of 23 x 23cm. The list below is a recommendation. Choose the substrate that is best suited to the application. Other Contec wipes not listed here may also be compatible. ISO Class compatibility will depend upon the selected cleaning cloth or VertiKlean Sox.

<b>Presaturated Disposable Cleaning Cloths</b> Fits mop head VKMX0100		
PS-911	PROSAT polypropylene nonwoven wipes, 70% IPA/30% DI Water, 23 x 28cm	30 wipes/pouch
PSC20002	PROSAT polyester/cellulose nonwoven wipes, 70% IPA/30% DI Water, 23 x 28cm	24 wipes/pouch
PSPS0047	PROSAT polyester knit wipes, 70% IPA/30% DI Water, 30 x 30cm	30 wipes/pouch
PSQT0037	PROSAT w/ two-ply polyester quilted knit wipes, 70% IPA/30% DI Water, 30 x 30cm	20 wipes/pouch
<b>Dry Disposable Cleaning Cloths</b> Fits mop head VKMX0100		
TSWC0917	TuffStuff general purpose nonwoven wipes, 23 x 43cm, pop up dispenser box	100 wipes/box
PNHS-1212	Polynit heavy duty polyester knit wipes, 30 x 30cm	75 wipes/bag
LWPS0004	Polynit heavy duty polyester knit wipes, HexaWipe, 30cm	75 wipes/bag
LWQT0005	Quiltec two-ply heavy duty knit wipes, HexaWipe, 30cm	100 wipes/bag
<b>VertiKlean® Sox Mop Head Covers</b> Fits mop head VKMX0100		
VK-SOX	Polyester single-ply mop head cover, approximately 11 x 21cm	32 covers/case



Mop Head VKMX0200  
Frame 2652A  
Handle 2645



**Contec® VertiKlean® MAX™ Mop Heads, Medium ISO Class 4**

**Part No. Description** Autoclaving of VertiKlean MAX is not recommended, due to the thermoformed plastic backplate.

- VKMX0200 Medium VertiKlean MAX mop head, 11 x 32 x 2cm
- VKMX0250 Medium VertiKlean MAX mop head, 11 x 32 x 2cm, sterile

**Mop Head Frames and Handles**

Part No.	Description
2652A	QuickConnect mop head frame, 29cm for Medium VertiKlean MAX
2725E	QuickConnect handle, 152cm, stainless steel, lightweight, 1 piece
2643	QuickConnect handle, 127cm extends to 234cm, anodized aluminum
2645	QuickConnect handle, 127cm extends to 234cm, stainless steel
2642	QuickConnect handle, 41cm extends to 76cm, anodized aluminum
2644	QuickConnect handle, 41cm extends to 76cm, stainless steel
2671A	QuickConnect handle, extends to 5m, anodized aluminum, 4 piece

**Buckets, Wringers and Carts**

Part No.	Description
2726	EasyCurve bucket w/ Slinger™ and frame, polypropylene, 25L, blue
2728	Stainless steel bucket trolley (caster base with 4 casters)
2743	Twin bucket w/ Slinger and frame; 20 L total volume, includes one cover, 4 non-autoclavable casters, polypropylene (seafoam green)
2650*	Stainless steel cart w/ casters, removable handle, two 25L polypropylene buckets (blue, red), and stainless steel connecting kit/drip cap
2738	Plastic sieve, blue polypropylene (for use w/ UBKT0001, UBKT0002)
2750	Slinger™ and frame (for use w/ UBKT0001, UBKT0002)
2710	Stainless steel downpress wringer (for use w/ 2650 cart)
UBKT0001	Polypropylene bucket, 25L, blue (replacement, for use w/2650)
UBKT0002	Polypropylene bucket, 25L, red (replacement, for use w/2650)
2700*	Stainless steel cart w/casters, removable handle, two 19L stainless steel buckets, downpress wringer
2617	Stainless steel bucket, 19L, 53 x 33 x 20cm (replacement, for use w/2700)

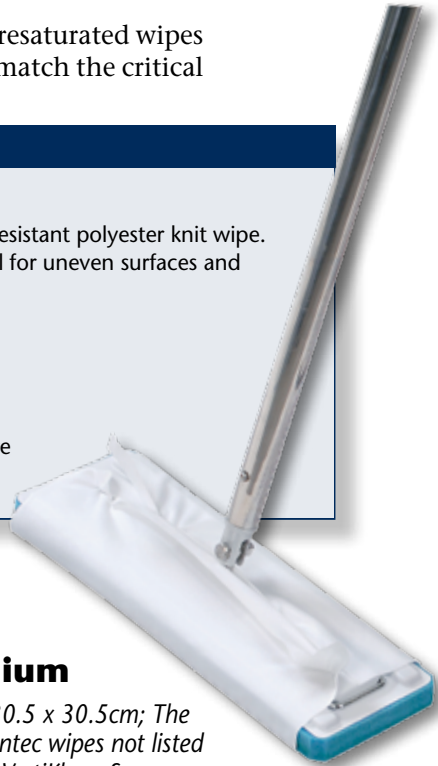
\* Carts are expandable to hold 3 buckets

**NOTE:** All hardware listed is autoclavable (121°C at 30 minutes) unless otherwise noted.



For added flexibility, the unique design of VertiKlean MAX allows various dry and presaturated wipes to be used with the mop head and frame. Wipes and solvent blends are available to match the critical needs of each end user.

PRESATURATED CLEANING CLOTHS	DRY CLEANING CLOTHS
<p><b>PROSAT® with Polynit Heatseal</b> Cleanroom laundered polyester knit presaturated with 70% IPA and 30% DI water. Offers improved liquid capacity and excellent durability. For uneven surfaces.</p> <p><b>PROSAT® with Quiltec®</b> Cleanroom laundered two-ply quilted polyester knit presaturated with 70% IPA and 30% DI water. Allows for cleaning of larger surface area due to enhanced holding capacity and durability.</p>	<p><b>Polynit Heatseal</b> Cleanroom laundered, abrasion-resistant polyester knit wipe. Offers enhanced cleanliness. Ideal for uneven surfaces and heavy-duty applications.</p> <p><b>Quiltec®</b> Cleanroom laundered two-ply quilted polyester knit wipe. For cleaning large surface areas; very absorbent and durable. Use where superior sorbency is required.</p>



**Recommended Wipes for use with VertiKlean® MAX™ Medium**

Medium VertiKlean MAX is compatible with most Contec brand wipes that have a minimum size of 30.5 x 30.5cm; The list below is a recommendation. Choose the substrate that is best suited to the application. Other Contec wipes not listed here may also be compatible. ISO Class compatibility will depend upon the selected cleaning cloth or VertiKlean Sox.

<b>Presaturated Disposable Cleaning Cloths</b> Fits mop head VKMX0200		
PSPS0047	PROSAT polyester knit wipes, 70% IPA/30% DI Water, 30x 30cm	30 wipes/pouch
PSQT0037	PROSAT w/ Quiltec two-ply polyester quilted knit wipes, 70% IPA/30% DI Water, 30 x 30cm	20 wipes/pouch
<b>Dry Disposable Cleaning Cloths</b> Fits mop head VKMX0200		
PNHS-1212	Polynit heavy duty polyester knit wipes, 30 x 30cm	75 wipes/bag
QT1-1212	Quiltec two-ply polyester quilted knit wipes, 30 x 30cm	100 wipes/bag
AMSI0002	Amplitude Sigma polyester/cellulose nonwoven wipes, 30 x 30cm	150 wipes/bag
TSWC1217	TuffStuff premium creped nonwoven wipes, 30 x 42cm, pop-up dispenser box	250 wipes/box
<b>VertiKlean® Sox Mop Head Covers</b> Fits mop head VKMX0200		
MVK-QT-SOX	Quiltec two-ply polyester mop head cover, approximately 11 x 32cm	120 covers/case



Mop Head VKMX0300  
Frame 2652A  
Handle 2645



<b>Contec® VertiKlean® MAX™ Mop Heads, Large ISO Class 4</b>	
<b>Part No.</b>	<b>Description</b> <i>Autoclaving of VertiKlean MAX is not recommended, due to the thermoformed plastic backplate.</i>
VKMX0300	Large VertiKlean MAX mop head, 11 x 39 x 2cm
VKMX0350	Large VertiKlean MAX mop head, 11 x 39 x 2cm, sterile
<b>Mop Head Frames and Handles</b>	
Part No.	Description
2652A	QuickConnect mop head frame, 29cm for Large or Medium VertiKlean MAX
2725E	QuickConnect handle, 152cm, stainless steel, lightweight, 1 piece
2643	QuickConnect handle, 127cm extends to 234cm, anodized aluminum
2645	QuickConnect handle, 127cm extends to 234cm, stainless steel
2642	QuickConnect handle, 41cm extends to 76cm, anodized aluminum
2644	QuickConnect handle, 41cm extends to 76cm, stainless steel
2671A	QuickConnect handle, extends to 5m, anodized aluminum, 4 piece
<b>Buckets, Wringers and Carts</b>	
Part No.	Description
2650*	Stainless steel cart w/ casters, removable handle, two 25L polypropylene buckets (blue, red), and stainless steel connecting kit/drip cap
2738	Plastic sieve, blue polypropylene (for use w/ UBKT0001, UBKT0002)
2750	Slinger™ and frame (for use w/ UBKT0001, UBKT0002)
2710	Stainless steel downpress wringer (for use w/ 2650 cart)
UBKT0001	Polypropylene bucket, 25L, blue (replacement, for use w/2650)
UBKT0002	Polypropylene bucket, 25L, red (replacement, for use w/2650)
2700*	Stainless steel cart w/casters, removable handle, two 19L stainless steel buckets, downpress wringer
2617	Stainless steel bucket, 19L, 53 x 33 x 20cm (replacement, for use w/2700)
* Carts are expandable to hold 3 buckets	



**NOTE:** All hardware listed is autoclavable (121°C at 30 minutes) unless otherwise noted.



Cleaning Pad PSME0001  
 Mop head frame 2685  
 QuickConnect handle 2644

Cleaning Pad PSME0001  
 Mop head frame 2685  
 QuickConnect handle 2686



**Contec® EasyReach™ Cleaning Tool**

Part No. Description

- PSME0001 EasyReach Cleaning Pads, pre-saturated with 70% IPA, sterile, 19 x 7cm
- MEQT0002 EasyReach Cleaning Pads, sterile, 19 x 7cm
- MEQT0001 EasyReach Cleaning Pads, 19 x 7cm

**Mop Head Frames and Handles**

Part No. Description

- 2685 QuickConnect EasyReach mop head frame, 19cm, stainless steel
- 2686 QuickConnect handle, 41cm, stainless steel, lightweight
- 2642 QuickConnect handle, 41cm extends to 76cm, anodized aluminum
- 2644 QuickConnect handle, 41cm extends to 76cm, stainless steel

**NOTE:** All hardware listed is autoclavable (121°C at 30 minutes) unless otherwise noted.





**Contec® VertiKlean® Mop Heads, Small ISO Class 4**

Part No.	Description
SVK-MOP	Small VertiKlean mop head, 18 x 11 x 3cm

**Mop Head Frames and Handles**

Part No.	Description
2691A	QuickConnect mop head frame, 15cm, for Small VertiKlean
2725E	QuickConnect handle, 152cm, stainless steel, lightweight, 1 piece
2643	QuickConnect handle, 127cm extends to 234cm, anodized aluminum
2645	QuickConnect handle, 127cm extends to 234cm, stainless steel
2642	QuickConnect handle, 41cm extends to 76cm, anodized aluminum
2644	QuickConnect handle, 41cm extends to 76cm, stainless steel
2671A	QuickConnect handle, extends to 5m, anodized aluminum, 4 piece

**Buckets, Wringers and Carts**

Part No.	Description
2720EU	Plastic double bucket system, w/ two 25L (1 red, 1 blue), wringer, cart w/ casters
2721EU	Plastic single bucket system, one 25L bucket (red), wringer, cart w/ casters
2695	Insert for downpress wringer, for use w/ SVK-MOP
2601	Stainless steel bucket, 30L, w/ casters
2621/80	Stainless steel downpress wringer w/ insert (for use w/ 2601 bucket)
2650*	Stainless steel cart w/ casters, removable handle, two 25L polypropylene buckets (blue, red), and stainless steel connecting kit/drip cap
2738	Plastic sieve, blue polypropylene (for use w/ UBKT0001, UBKT0002)
2710	Stainless steel downpress wringer (for use w/ 2650 cart)
UBKT0001	Polypropylene bucket, 25L, blue (replacement, for use w/2650)
UBKT0002	Polypropylene bucket, 25L, red (replacement, for use w/2650)
2700*	Stainless steel cart w/casters, two 19L stainless steel buckets, downpress wringer
2617	Stainless steel bucket, 19L, 53 x 33 x 20cm (replacement, for use w/2700)

\* Carts are expandable to hold 3 buckets

**NOTE:** All hardware listed is autoclavable (121°C at 30 minutes) unless otherwise noted.





**Contec® VertiKlean® Mop Heads ISO Class 4**

Part No.	Description
VK-MOP	VertiKlean mop head, 22 x 11 x 3cm
VK-MOPIR	VertiKlean mop head, 22 x 11 x 3cm, sterile
TVKMOP	VertiKlean mop head, 22 x 11 x 3cm, textured
TVKMOPIR	VertiKlean mop head, 22 x 11 x 3cm, textured, sterile

**Mop Head Frames and Handles**

Part No.	Description
2651A	QuickConnect mop head frame, 19cm (7.5in) for VertiKlean
2725E	QuickConnect handle, 152cm, stainless steel, lightweight, 1 piece
2643	QuickConnect handle, 127cm extends to 234cm, anodized aluminum
2645	QuickConnect handle, 127cm extends to 234cm, stainless steel
2642	QuickConnect handle, 41cm extends to 76cm, anodized aluminum
2644	QuickConnect handle, 41cm extends to 76cm, stainless steel
2671A	QuickConnect handle, extends to 5m, anodized aluminum, 4 piece

**Buckets, Wringers and Carts**

Part No.	Description
2650*	Stainless steel cart w/ casters, removable handle, two 25L polypropylene buckets (blue, red), and stainless steel connecting kit/drip cap
2738	Plastic sieve, blue polypropylene (for use w/ UBKT0001, UBKT0002)
2710	Stainless steel downpress wringer (for use w/ 2650 cart)
UBKT0001	Polypropylene bucket, 25L, blue (replacement, for use w/2650)
UBKT0002	Polypropylene bucket, 25L, red (replacement, for use w/2650)
2601	Stainless steel bucket, 30L, w/ casters
2621/80	Stainless steel downpress wringer w/ insert (for use w/ 2601 bucket)
2700*	Stainless steel cart w/casters, removable handle, two 19L stainless steel buckets, downpress wringer
2617	Stainless steel bucket, 19L, 53 x 33 x 20cm (replacement, for use w/2700)

\* Carts are expandable to hold 3 buckets

**NOTE:** All hardware listed is autoclavable (121°C at 30 minutes) unless otherwise noted.





**Contec® VertiKlean® Mop Heads, Medium ISO Class 4**

Part No.	Description
MVK-MOP	Medium VertiKlean mop head, 32 x 11 x 3cm
MVK-MOPIR	Medium VertiKlean mop head, 32 x 11 x 3cm, sterile
TMVKMOP	Medium VertiKlean mop head, 32 x 11 x 3cm, textured
TMVKMOPIR	Medium VertiKlean mop head, 32 x 11 x 3cm, textured, sterile

**Mop Head Frames and Handles**

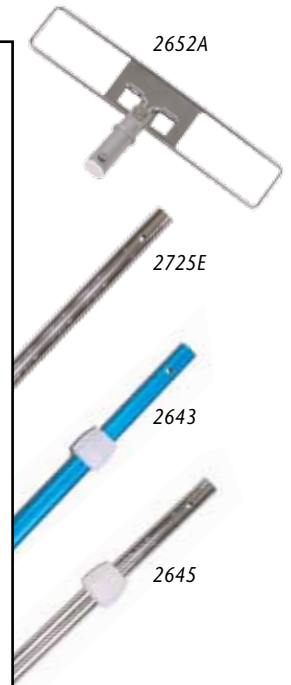
Part No.	Description
2652A	QuickConnect mop head frame, 29cm (11.5in), for Medium VertiKlean only
2725E	QuickConnect handle, 152cm, stainless steel, lightweight, 1 piece
2643	QuickConnect handle, 127cm extends to 234cm, anodized aluminum
2645	QuickConnect handle, 127cm extends to 234cm, stainless steel
2642	QuickConnect handle, 41cm extends to 76cm, anodized aluminum
2644	QuickConnect handle, 41cm extends to 76cm, stainless steel
2671A	QuickConnect handle, extends to 5m, anodized aluminum, 4 piece

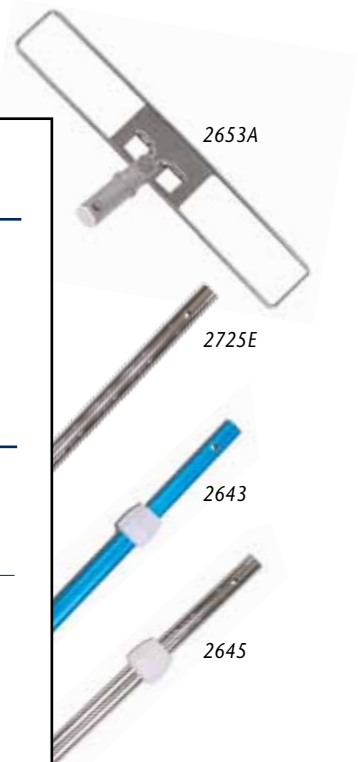
**Buckets, Wringers and Carts**

Part No.	Description
2650*	Stainless steel cart w/ casters, removable handle, two 25L polypropylene buckets (blue, red), and stainless steel connecting kit/drip cap
2738	Plastic sieve, blue polypropylene (for use w/ UBKT0001, UBKT0002)
2710	Stainless steel downpress wringer (for use w/ 2650 cart)
UBKT0001	Polypropylene bucket, 25L, blue (replacement, for use w/2650)
UBKT0002	Polypropylene bucket, 25L, red (replacement, for use w/2650)
2700*	Stainless steel cart w/casters, removable handle, two 19L stainless steel buckets, downpress wringer
2617	Stainless steel bucket, 19L, 53 x 33 x 20cm (replacement, for use w/2700)

\* Carts are expandable to hold 3 buckets

**NOTE:** All hardware listed is autoclavable (121°C at 30 minutes) unless otherwise noted.





**Contec® VertiKlean® Mop Heads, Large ISO Class 4**

Part No.	Description
LVK-MOP	Large VertiKlean mop head, 39 x 11 x 3cm
LVK-MOPIR	Large VertiKlean mop head, 39 x 11 x 3cm, sterile
TLVKMOP	Large VertiKlean mop head, 39 x 11 x 3cm, textured
TLVKMOPIR	Large VertiKlean mop head, 39 x 11 x 3cm, textured, sterile

**Mop Head Frames and Handles**

Part No.	Description
2653A	QuickConnect mop head frame, 36cm (14in.), for Lg. VertiKlean only
2725E	QuickConnect handle, 152cm, stainless steel, lightweight, 1 piece
2643	QuickConnect handle, 127cm extends to 234cm, anodized aluminum
2645	QuickConnect handle, 127cm extends to 234cm, stainless steel
2642	QuickConnect handle, 41cm extends to 76cm, anodized aluminum
2644	QuickConnect handle, 41cm extends to 76cm, stainless steel
2671A	QuickConnect handle, extends to 5m, anodized aluminum, 4 piece

**Buckets, Wringers and Carts**

Part No.	Description
2650*	Stainless steel cart w/ casters, removable handle, two 25L polypropylene buckets (blue, red), and stainless steel connecting kit/drip cap
2738	Plastic sieve, blue polypropylene (for use w/ UBKT0001, UBKT0002)
2710	Stainless steel downpress wringer (for use w/ 2650 cart)
UBKT0001	Polypropylene bucket, 25L, blue (replacement, for use w/2650)
UBKT0002	Polypropylene bucket, 25L, red (replacement, for use w/2650)
2700*	Stainless steel cart w/casters, removable handle, two 19L stainless steel buckets, downpress wringer
2617	Stainless steel bucket, 19L, 53 x 33 x 20cm (replacement, for use w/2700)

\* Carts are expandable to hold 3 buckets

**NOTE:** All hardware listed is autoclavable (121°C at 30 minutes) unless otherwise noted.





Mop head EZMP0100  
Frame 2724  
Handle 2643



2650 w/ optional Slinger 2750



2726

2728



2743



2724

2725E

2643

2645

**Contec® EasyCurve™ Mop ISO Class 4**

Part No.	Description
EZMP0100	EasyCurve disposable mop head, 36 x 11 x 2cm
EZMP0150	EasyCurve disposable mop head, 36 x 11 x 2cm, sterile

**Mop Head Frames and Handles**

Part No.	Description
2724	EasyCurve pivoting mop head frame, stainless steel, U.S. Design Patent No. D586,966
2725E	QuickConnect handle, 152cm, stainless steel, lightweight, 1 piece
2643	QuickConnect handle, 127cm extends to 234cm, anodized aluminum
2645	QuickConnect handle, 127cm extends to 234cm, stainless steel

**Bucket Systems**

Part No.	Description
2726	EasyCurve bucket with Slinger™ and frame, polypropylene (blue), 25L
2728	Stainless steel bucket trolley (caster base with four casters)
2743	Twin bucket w/ Slinger and frame; 20 L total volume, includes one cover, 4 non-autoclavable casters, polypropylene (seafoam green)
2650*	Stainless steel cart w/ casters, removable handle, two 25L polypropylene buckets and stainless steel connecting kit/drip cap
2750	Slinger™ and frame (for use w/ UBKT0001, UBKT0002)
UBKT0001	Polypropylene bucket, 25L, blue
UBKT0002	Polypropylene bucket, 25L, red

\* Cart is expandable to hold 3 buckets

**NOTE:** All hardware listed is autoclavable (121°C at 30 minutes) unless otherwise noted.





Mop head EL-MOP  
Frame 2646  
Handle 2645



**Contec® Edgeless® Mop Heads ISO Class 4**

Part No.	Description
EL-MOP	Edgeless Mop
ELMOP3	Edgeless Mop, enhanced ribbed
ELMOPT	Edgeless Mop, enhanced ribbed, textured headband
EL-MOP IR	Edgeless Mop, sterile
ELMOP3IR	Edgeless Mop, enhanced ribbed, sterile

**Mop Head Frames and Handles**

Part No.	Description
2646	Dynamate® QuickConnect™ lightweight mop head frame, 15 x 18cm
2725E	QuickConnect™ handle, 152cm, stainless steel, lightweight
2640	Handle with mop head frame, 1 piece, 152cm, stainless steel
2641	Handle with mop head frame, 2 piece (for small autoclaves), 152cm, stainless steel
A71612	Handle with mop head frame, 1 piece, 162cm, fiberglass, non-autoclavable

**Buckets, Wringers and Carts**

Part No.	Description
2601	Stainless steel bucket, 30L, with casters
2621/80	Stainless steel downpress wringer w/ insert (for use with 2601 bucket)
2720EU	Plastic double bucket system, w/ two 25L (red, blue), wringer, cart w/ casters
2721EU	Plastic single bucket system, one 25L bucket (red), wringer, cart w/ casters
2650*	Stainless steel cart w/ casters, removable handle, two 25L polypropylene buckets
2710	Stainless steel downpress wringer (for use w/ 2650 cart)
UBKT0001	Polypropylene bucket, 25L, blue (replacement, for use w/2650 cart)
UBKT0002	Polypropylene bucket, 25L, red (replacement, for use w/2650 cart)
2700*	Stainless steel cart w/casters, removable handle, two 19L stainless steel buckets, downpress wringer
2617	Stainless steel bucket, 19L, 53 x 33 x 20cm (for use w/2700)

\* Cart is expandable to hold 3 buckets

**NOTE:** All hardware listed is autoclavable (121°C at 30 minutes) unless otherwise noted.





**Contec® EasySat™ Bucketless Mop Heads ISO Class 5**

Part No.	Description
BLVKMOP	EasySat mop head, 55 x 12 x 46cm
TBLVKMOP	EasySat mop head, 55 x 12 x 46cm, textured
BLVKMOPIR	EasySat mop head, 55 x 12 x 46cm, sterile
TBLVKMOPIR	EasySat mop head, 55 x 12 x 46cm, textured, sterile

**EasySat™ Bucketless Mop Hardware**

Part No.	Description
BLMOPE*	EasySat Bucketless Floor Mop Hardware, 1,5L solution tank
BLMOP	EasySat Bucketless Floor Mop Hardware, 1.5L solution tank

\* Only available to customers ordering from our European distribution center

**NOTE:** All hardware listed is autoclavable (121°C at 30 minutes) unless otherwise noted.



**Contec® Tax-Fre® Mop Heads** ISO Class 6

Part No.	Description
UF211	Tax-Fre swivel mop head, 58 x 13 x 3cm, orange

**Mop Handle**

Part No.	Description
WWP08	Aluminum extension handles, 250cm, 2 piece

**Disposable Cleaning Cloths**

Part No.	Description
TF-1228	Tax-Fre floor mop covers, 30 x 71cm

*NOTE: Autoclaving of the Tax-Fre mop head and handle is not recommended.*



WWP08

**Buckets, Wringers and Carts**

Part No.	Description
2601	Stainless steel bucket, 30L, w/ casters
2621/80	Stainless steel downpress wringer w/ insert (for use w/ 2601 bucket)
2720EU	Plastic double bucket system, w/ two 25L buckets (red, blue), wringer, cart w/ casters
2721EU	Plastic single bucket system, one 25L bucket (red), wringer, cart w/ casters
2695	Small downpress wringer insert (for use w/ SVK-MOP and 2720 or 2721); not pictured

**Replacement Parts**

Part No.	Description
2695	Wringer insert for 2721/2720 systems; for use with SVK-MOP
8107B	Replacement Bucket for 2721/2720 systems, red, 25L
8107A	Replacement Bucket for 2721/2720 systems, blue, 25L

**NOTE:** All hardware listed is autoclavable (121°C at 30 minutes) unless otherwise noted.



**Buckets, Wringers and Carts**

Part No.	Description
2700*	Stainless steel cart w/removable handle, casters w/ brakes, two 19L stainless steel buckets, downpress wringer <i>* Cart is expandable to hold 3 buckets</i>

**Replacement Parts**

Part No.	Description
2617	Stainless steel bucket, 19L, 53 x 33 x 20cm (replacement, for use w/2700)
2710	Stainless steel downpress wringer (replacement part)

**NOTE:** All hardware listed is autoclavable (121°C at 30 minutes) unless otherwise noted.



**Buckets, Wringers and Carts**

Part No.	Description
2650*	Stainless steel cart w/removable handle, casters w/ brakes, two 25L polypropylene buckets (red, blue) and stainless steel connecting kit/drip cap
2710	Stainless steel downpress wringer (for use w/ 2650 cart)
2738	Plastic sieve, blue polypropylene (for use w/ UBKT0001, UBKT0002)
2750	Slinger™ and stainless steel frame (for use w/ UBKT0001, UBKT0002)

\* Cart is expandable to hold 3 buckets

**Replacement Parts**

Part No.	Description
2710	Stainless steel downpress wringer (replacement part)
2729	Stainless steel connecting kit w/drip cap for multibucket system (replacement part)
UBKT0001	Polypropylene bucket, 25L, blue (replacement part)
UBKT0002	Polypropylene bucket, 25L, red (replacement part)

**NOTE:** All hardware listed is autoclavable (121°C at 30 minutes) unless otherwise noted.

**Wringer Options:**



2650



Featuring a removable handle for easier storage and autoclaving

UBKT0002 Replacement Part

2729 Replacement Part

UBKT0001 Replacement Part

**Buckets, Wringers and Carts**

Part No.	Description
2726	EasyCurve bucket with Slinger™ and frame, polypropylene (blue), 25L
2728	Stainless steel bucket trolley (caster base with four casters)
UBKT0001	Polypropylene bucket, 25L, blue (replacement, for use w/2650 or 2728)
UBKT0002	Polypropylene bucket, 25L, red (replacement, for use w/2650 or 2728)
2743	Twin bucket w/ Slinger and frame; 20 L total volume, includes one cover, 4 non-autoclavable casters, polypropylene (seafoam green)
2650*	Stainless steel cart w/removable handle, casters w/ brakes, two 25L polypropylene buckets (red, blue) and stainless steel connecting kit/drip cap
2750	Slinger™ and frame (for use w/ UBKT0001, UBKT0002)

\* Cart is expandable and will hold 3 buckets

**Replacement Parts**

Part No.	Description
2727	Replacement Slinger™ insert, 100% polyester
2729	Stainless steel connecting kit w/ drip cap for multibucket system (replacement part)
UBKT0001	Polypropylene bucket, 25L, blue (for use w/2650 or 2728, replacement part)
UBKT0002	Polypropylene bucket, 25L, red (for use w/2650 or 2728, replacement part)

**NOTE:** All hardware listed is autoclavable (121°C at 30 minutes) unless otherwise noted.

2650 with optional Slinger 2750



Featuring a removable handle for easier storage and autoclaving



**Pictured in photo:**  
2650 Stainless Steel cart with 2 polypropylene buckets (blue & red), 25L each (1)  
2750 Slinger and frame (1)

2726



2727 Replacement Part

2728

**Pictured in photo:**  
2726 EasyCurve™ Bucket w/ Slinger™ and Frame (1)  
2728 Stainless Steel bucket trolley (1)

2743



**NOT Pictured:**  
cover, included (1)

