



CONSTIX[®] Swab, SP-7

Sealed knitted polyester swab

Description

The SP-7 is a sealed polyester swab consisting of 100% knit polyester fabric thermally bonded to a Delrin[®] (acetal) handle.

The SP-7 contains no adhesives or binders. The swab head is made from cleanroom wipe polyester fabric. The acetal handle provides good rigidity and strength that enables access to very small areas and components.

The sealed polyester head provides the lowest contamination risk of any other type of swab, while being very durable and absorbent.

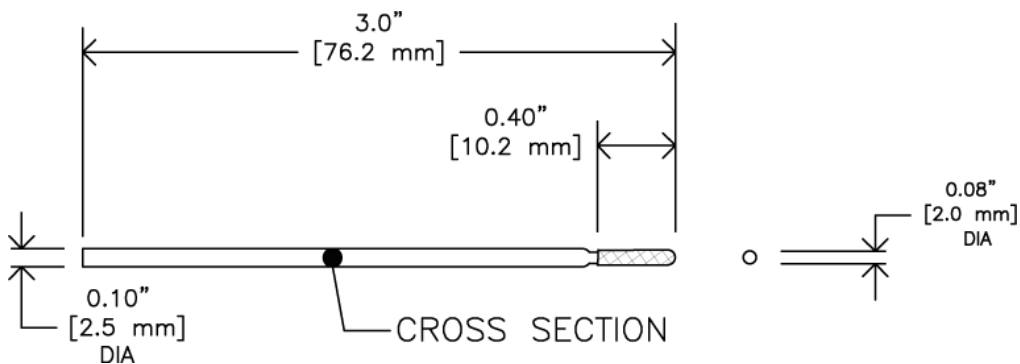
Features and Benefits

- No adhesives or binders
- Lowest particulate and residue levels
- Durable knitted polyester head material
- Sorbent of most common solvents
- Resistant to most solvents and many acids and bases

Technical Data

Swab head material	100% knitted polyester
Swab handle material	100% virgin acetal
Construction	Ultrasonically sealed

Attribute; (units)	Value	Test Method
Non-volatile residue, NVR		
In deionized water; (mg/swab)	N/A	
In isopropanol; (mg/swab)	N/A	
Particles ≥ 0.5µm; (per swab)	N/A	
Fibers > 100µm; (per swab)	N/A	
Surface resistivity of handle; (x 10 ⁸ ohms/sq)	N/A	



Notes:

- 1) Data shown are typical values and should not be used as product specifications.
- 2) Valid product comparisons may only be obtained through side-by-side testing in the same test facility, under similar conditions.
- 3) Current and/or comparison data may be available. Please contact a Contec sales representative for details.

Revision date: 03/29/11



P.O. Box 530
Spartanburg, SC 29304 USA
Phone: +1-864-503-8333
Fax: +1-864-503-8444
Toll free US, Canada, PR: 1-800-289-5762

Customer Service
United States: 1-866-855-4682
Europe/Asia: +1-864-699-8257
e-mail: wipers@contecinc.com
www.contecinc.com