



CONSTIX[®] Swab, SFW-4

Wrapped foam swab, small teardrop head

Description

The SFW-4 is a foam swab consisting of a 100 pore-per-inch open cell foam tightly wrapped about the tip of a molded polypropylene handle. The foam is secured to the handle without the use of adhesives or binders.

The open-cell foam provides excellent particle entrapment and retention, while the tightly wrapped head is resistant to abrasion. The SFW-4 is sorbent to most common solvents, but is not recommended for use with ketones.

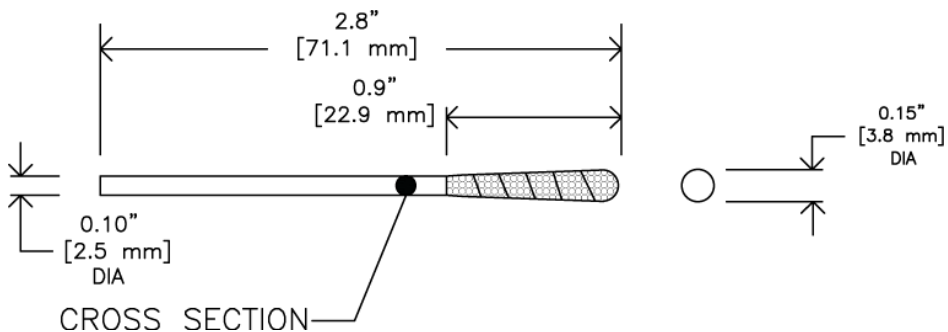
Features and Benefits

- Tightly wrapped head resists abrasion
- Low in particles and fibers
- Teardrop shape is symmetrical for uniform cleaning or application of material
- Fiber-free alternative to cotton swabs
- Not recommended for cleaning optics

Technical Data

Swab head material	100 pore-per-inch (PPI) reticulated polyurethane foam
Swab handle material	Polypropylene
Construction	Tightly wrapped and heat staked

Attribute; (units)	Value	Test Method
Non-volatile residue, NVR		Contec method
In deionized water; (mg/swab)	N/A	
In isopropanol; (mg/swab)	0.23	
Particles $\geq 0.5\mu\text{m}$; (per swab)	2,300	Contec method
Fibers $> 100\mu\text{m}$; (per swab)	N/A	
Surface resistivity of handle; ($\times 10^8$ ohms/sq)	N/A	



Notes:

- 1) Data shown are typical values and should not be used as product specifications.
- 2) Valid product comparisons may only be obtained through side-by-side testing in the same test facility, under similar conditions.
- 3) Current and/or comparison data may be available. Please contact a Contec sales representative for details.

Revision date: 03/29/11



P.O. Box 530
Spartanburg, SC 29304 USA
Phone: +1-864-503-8333
Fax: +1-864-503-8444
Toll free US, Canada, PR: 1-800-289-5762

Customer Service
United States: 1-866-855-4682
Europe/Asia: +1-864-699-8257
e-mail: wipers@contecinc.com
www.contecinc.com